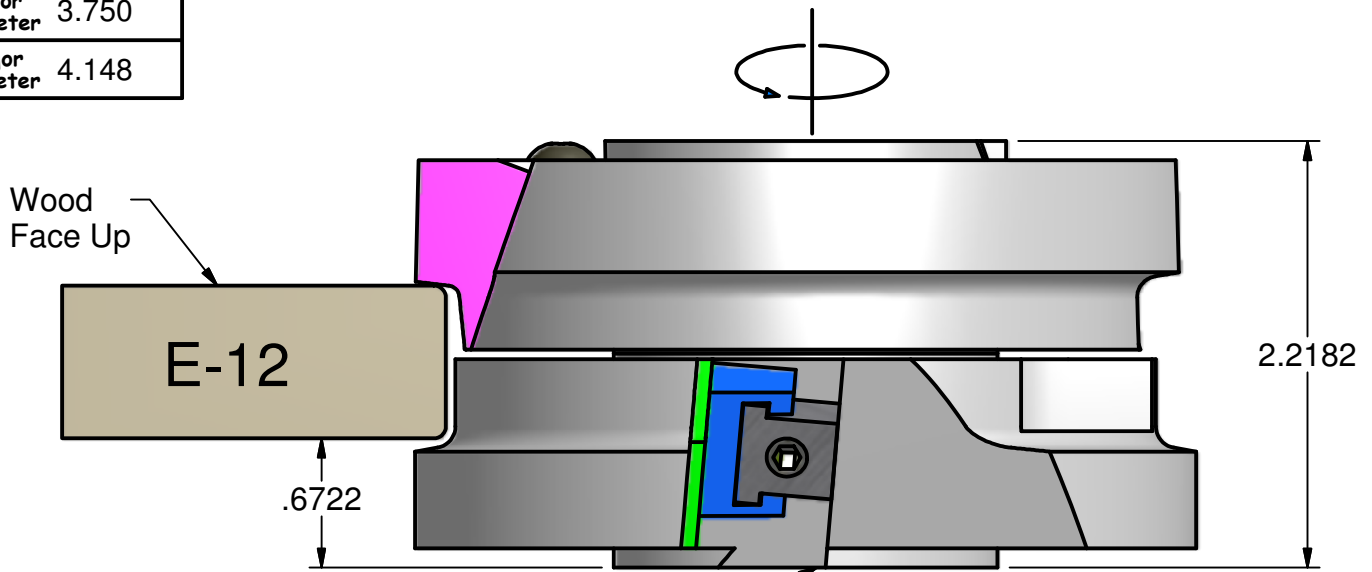


GEOMETRY	
2+2 Wing(s)	
15° Hook	
5° Shear	
Minor Diameter	3.750
Major Diameter	4.148



THIS DRAWING IS PROPERTY OF EW TOOLING, INC. AND MUST NOT BE USED IN ANY WAY DETRIMENTAL TO OUR INTERESTS

**E.W. TOOLING, Inc.**  
Cutting tools for the woodworking industry

Approved by: \_\_\_\_\_

Originate:

Last edit:

EW P/N: 8-16-10

Tips:

10-27-10

Cust P/N: 182-408,411