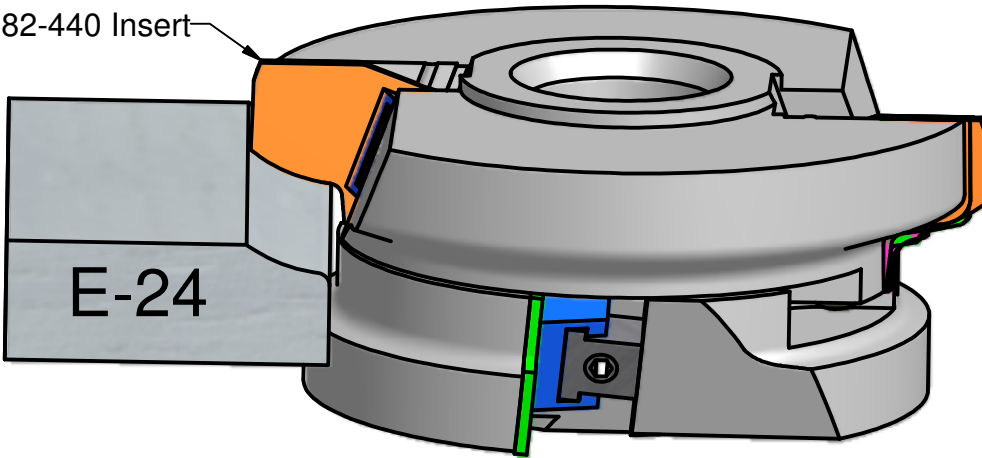
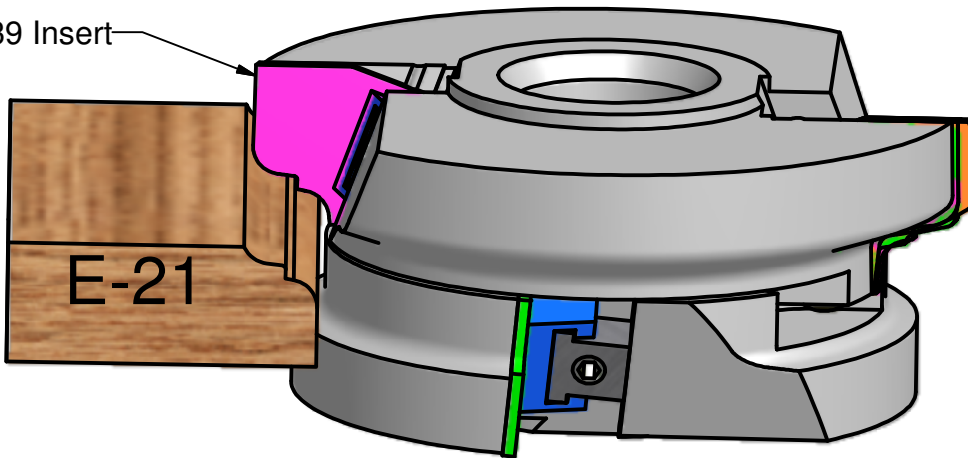


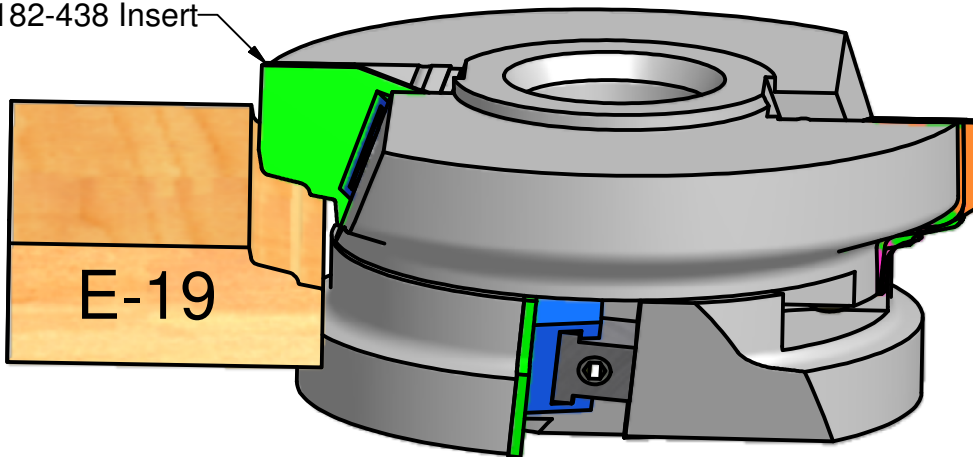
182-440 Insert



182-439 Insert



182-438 Insert



THIS DRAWING IS PROPERTY OF EW TOOLING, INC. AND MUST NOT BE USED IN ANY WAY DETRIMENTAL TO OUR INTERESTS

182

**E.W. TOOLING, Inc.**

Cutting tools for the woodworking industry

Approved by: \_\_\_\_\_

Originate: 10-18-10

Last edit: 10/27/10

EW P/N: 182-437 Tips:

Cust P/N: E-19, E-21, E-24