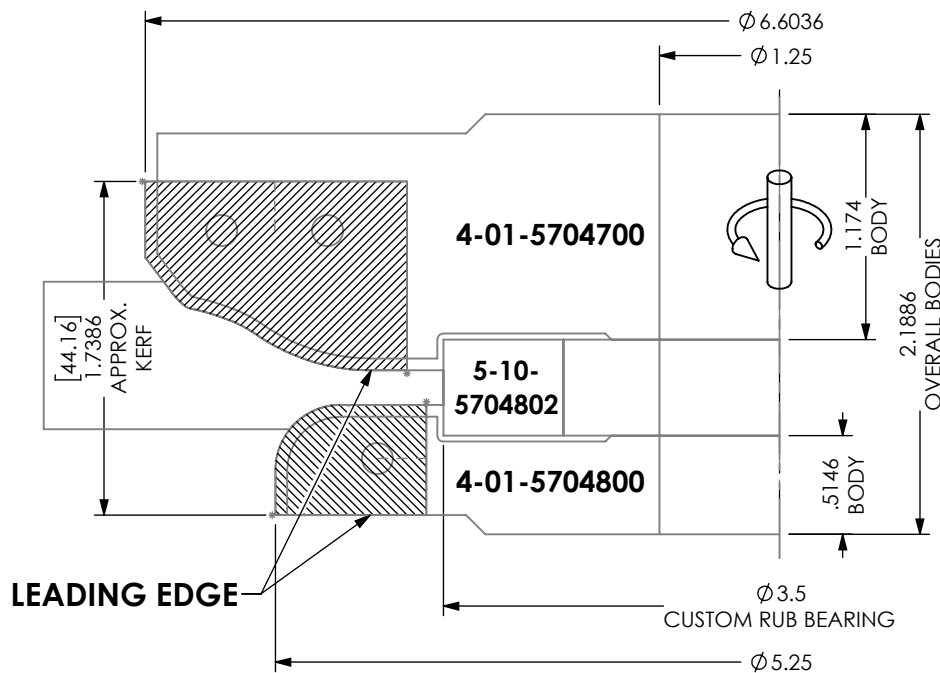
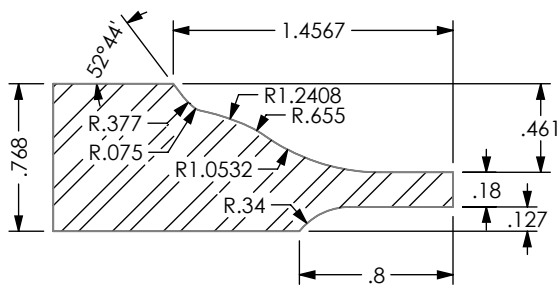


TEETH: 3
HOOK: 5°
SHEAR: 15°
TIPS: INSERT
PA: N/A

MAX RPM: 9,000

DWG: 4-01-5704700

PROFILE #: P-3



ATTN: _____ DATE: _____ PO#: _____

CUSTOM TOOLING MUST HAVE CUSTOMER APPROVAL PRIOR TO THE START OF MANUFACTURING. PLEASE REVIEW THIS DRAWING FOR ACCURACY, INCLUDING ROTATION, AND FAX A SIGNED AND DATED COPY. PRODUCTION WILL BEGIN UPON RECEIPT OF APPROVED DRAWING.

APPROVED BY: _____ DATE: _____

HALL MANUFACTURING DWG: 4-01-5704700

DATE:
10/4/23

DWN BY:
D.L.M.



REV. +
 SHEET 1 OF 5