

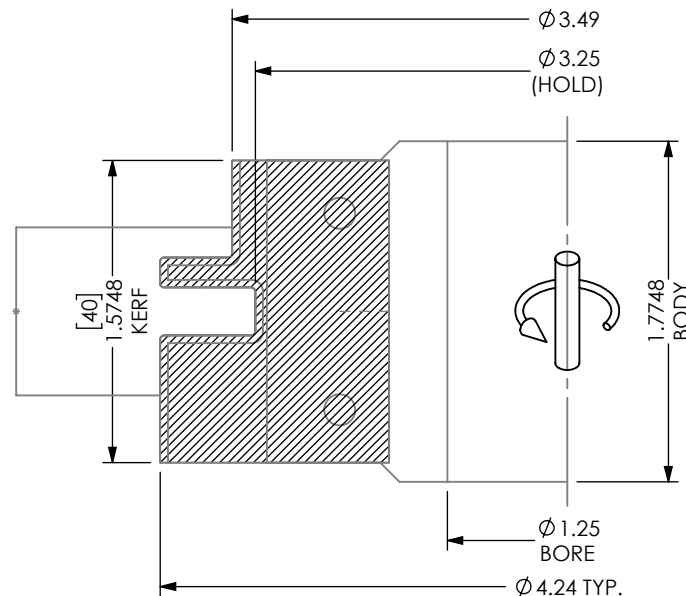
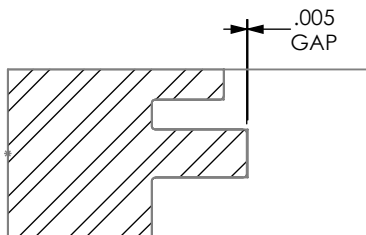
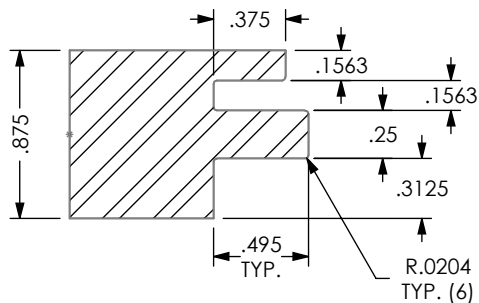
TEETH: 3
 HOOK: 10°
 SHEAR: 0°
 TIPS: INSERT
 PA: N/A

MAX RPM: 13,000

DWG: 4-01-4518800

CUTTER HEAD: #4-01-4518800
 INSERT: #4-10-4518807
 BACKER: #5-10-4518808

PROFILE #: SHANAHAN



HALL MANUFACTURING DWG: 4-01-4518800

ATTN: _____ DATE: _____ PO#: _____

CUSTOM TOOLING MUST HAVE CUSTOMER APPROVAL PRIOR TO THE START OF MANUFACTURING. PLEASE REVIEW THIS DRAWING FOR ACCURACY, INCLUDING ROTATION, AND FAX A SIGNED AND DATED COPY. PRODUCTION WILL BEGIN UPON RECEIPT OF APPROVED DRAWING.

APPROVED BY: _____ DATE: _____

DATE:
8/10/23

DWN BY:
D.L.M.

REV.
+

SHEET 4 OF 6

