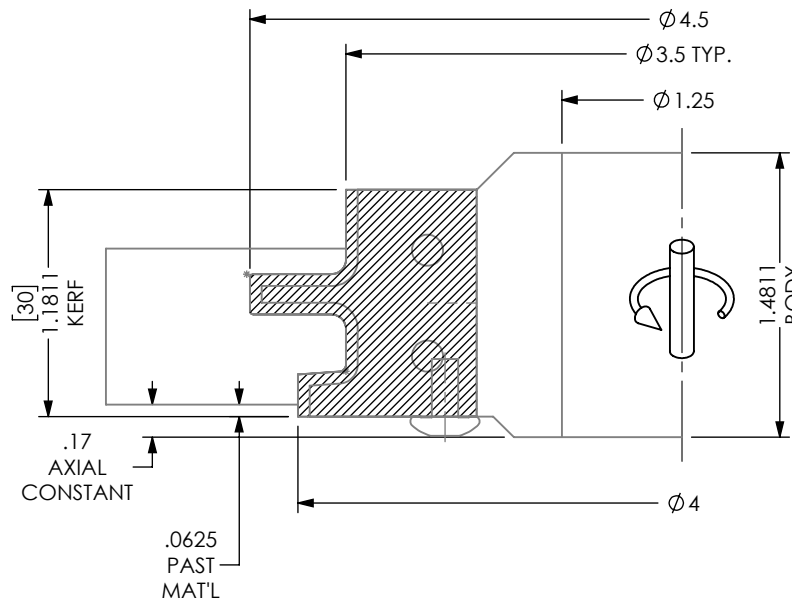
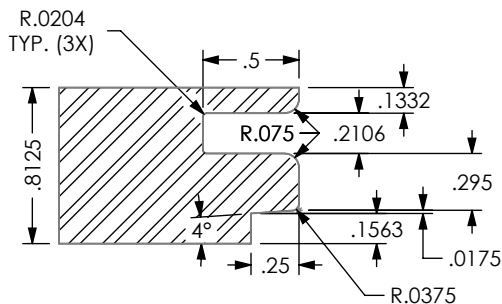


**TEETH: 3**  
**HOOK: 10°**  
**SHEAR: 0°**  
**TIPS: INSERT**  
**PA: N/A**

**MAX RPM: 13,000**

**DWG: 4-01-5489200**

**PROFILE #: CS-16**



**HALL MANUFACTURING DWG: 4-01-5489200**

ATTN: \_\_\_\_\_ DATE: \_\_\_\_\_ PO#: \_\_\_\_\_

**CUSTOM TOOLING MUST HAVE CUSTOMER APPROVAL PRIOR TO THE START OF MANUFACTURING. PLEASE REVIEW THIS DRAWING FOR ACCURACY, INCLUDING ROTATION, AND FAX A SIGNED AND DATED COPY. PRODUCTION WILL BEGIN UPON RECEIPT OF APPROVED DRAWING.**

APPROVED BY: \_\_\_\_\_ DATE: \_\_\_\_\_

**DATE:**  
**12/6/22**

**DWN BY:**  
**D.L.M.**

REV.  
+

SHEET 1 OF 5

