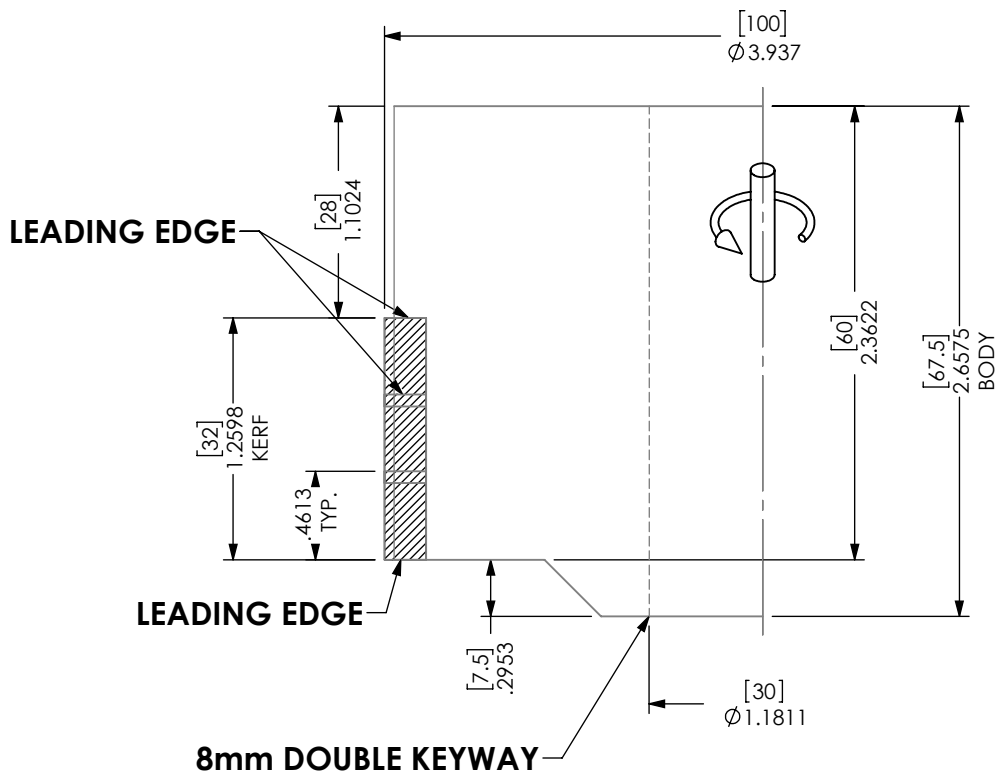


TEETH: 2 EFF.
 HOOK: 5°
 SHEAR: 30°
 TIPS: PCD
 PA: 68mm

MAX RPM: 17,000

DWG: 1-02-5447300

A.K.A. # N/A



HALL MANUFACTURING DWG: 1-02-5447300

ATTN: _____ DATE: _____ PO#: _____

CUSTOM TOOLING MUST HAVE CUSTOMER APPROVAL PRIOR TO THE START OF MANUFACTURING. PLEASE REVIEW THIS DRAWING FOR ACCURACY, INCLUDING ROTATION, AND FAX A SIGNED AND DATED COPY. PRODUCTION WILL BEGIN UPON RECEIPT OF APPROVED DRAWING.

APPROVED BY: _____ DATE: _____

DATE:
9/26/22

DWN BY:
D.L.M.



REV.
+

SHEET 1 OF 4