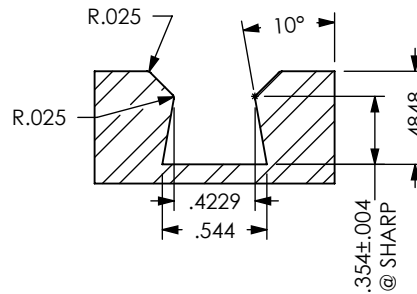
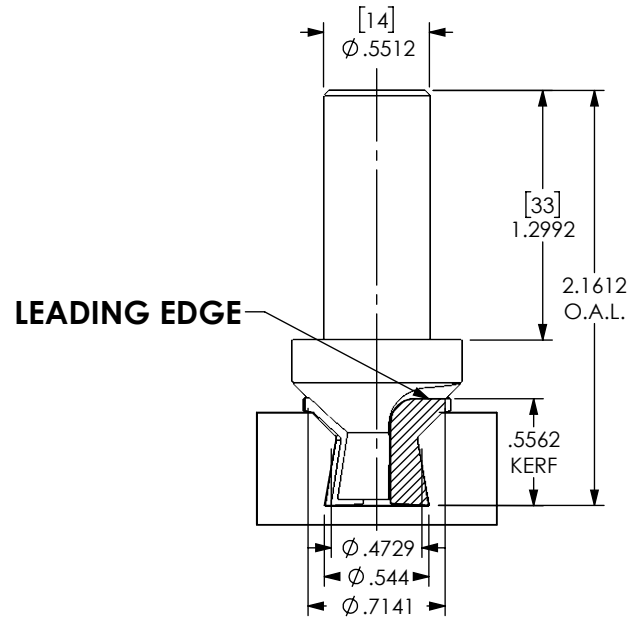
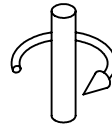


TEETH: 2
HOOK: 0°
SHEAR: 5°
TIPS: PCD
PA: 32.877mm

DWG: 1-03-5367400

A.K.A. #: N/A



HALL MANUFACTURING DWG: 1-03-5367400

ATTN: _____ DATE: _____ PO#: _____

**CUSTOM TOOLING MUST HAVE CUSTOMER APPROVAL PRIOR TO THE START OF
 MANUFACTURING. PLEASE REVIEW THIS DRAWING FOR ACCURACY, INCLUDING
 ROTATION, AND FAX A SIGNED AND DATED COPY. PRODUCTION
 WILL BEGIN UPON RECEIPT OF APPROVED DRAWING.**

APPROVED BY: _____ DATE: _____

DATE:
6/14/22

DWN BY:
D.L.M.



REV.
 +

SHEET 1 OF 4