

TEETH: 2
HOOK: 10°
SHEAR: 10°
TIPS: PCD
PA: 24mm

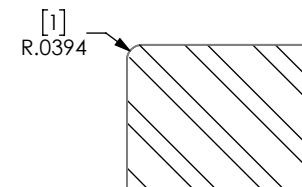
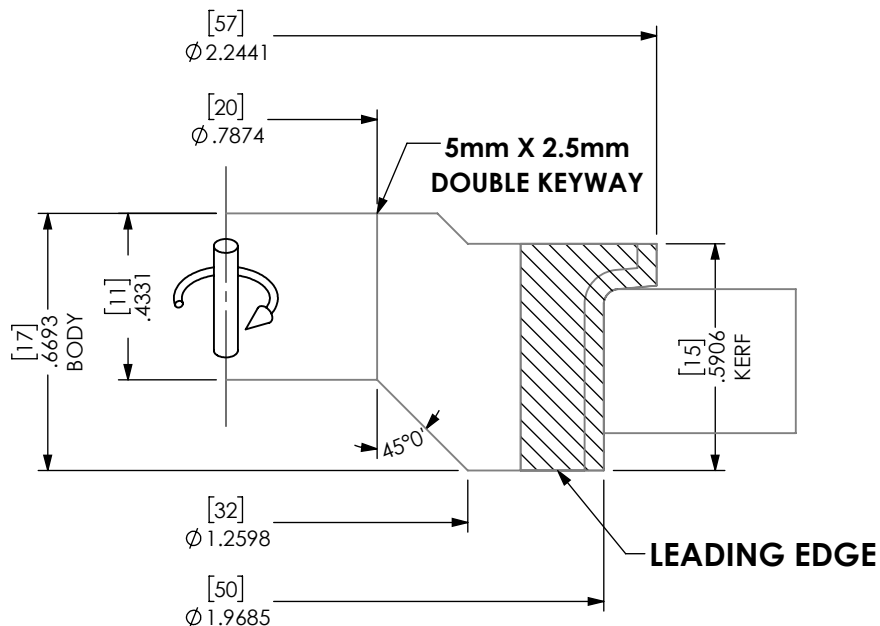
MAX RPM: 24,000

DWG: 1-01-5338500

DRAWING SCALE

A.K.A. #: N/A

2:1



HALL MANUFACTURING DWG: 1-01-5338500

ATTN: _____ DATE: _____ PO#: _____

CUSTOM TOOLING MUST HAVE CUSTOMER APPROVAL PRIOR TO THE START OF MANUFACTURING. PLEASE REVIEW THIS DRAWING FOR ACCURACY, INCLUDING ROTATION, AND FAX A SIGNED AND DATED COPY. PRODUCTION WILL BEGIN UPON RECEIPT OF APPROVED DRAWING.

APPROVED BY: _____ DATE: _____

DATE:
5/5/22

DWN BY:
D.L.M.



REV.
+

SHEET 1 OF 5