

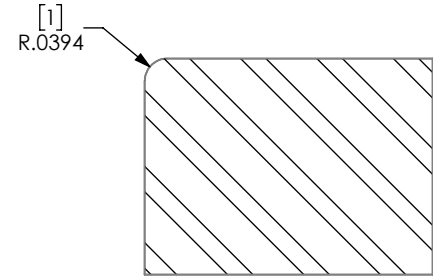
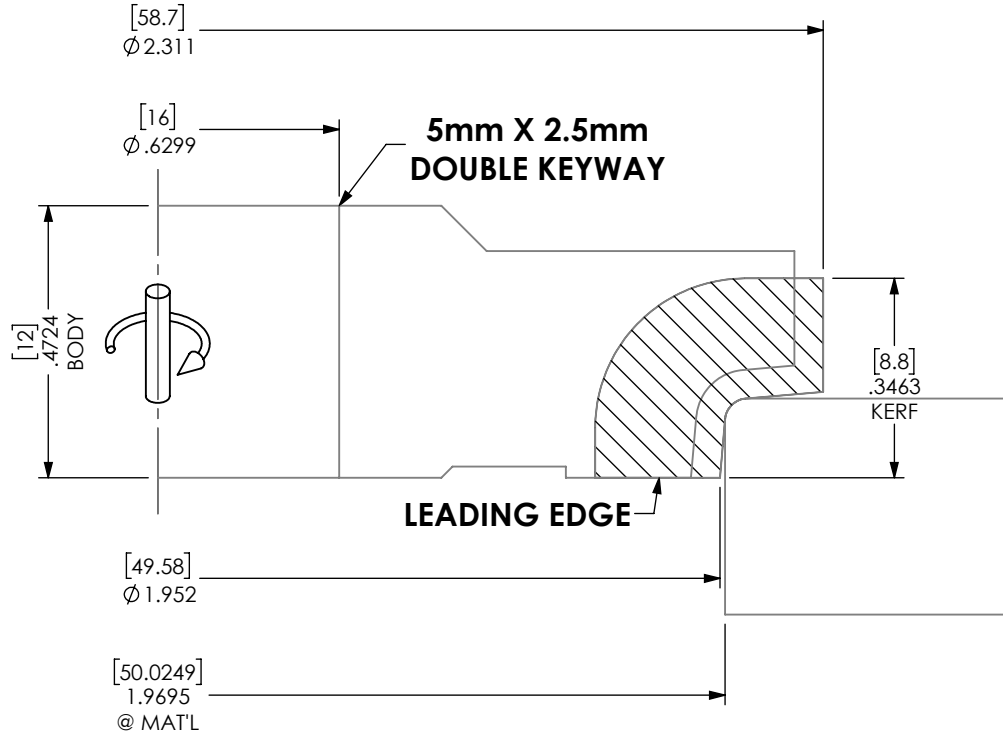
TEETH: 3  
HOOK: 10°  
SHEAR: 10°  
TIPS: PCD  
PA: 10.2mm

MAX RPM: 24,000

DWG: 1-01-5355000

A.K.A. #: N/A

# DRAWING SCALE 3:1



HALL MANUFACTURING DWG: 1-01-5355000

ATTN: \_\_\_\_\_ DATE: \_\_\_\_\_ PO#: \_\_\_\_\_

CUSTOM TOOLING MUST HAVE CUSTOMER APPROVAL PRIOR TO THE START OF MANUFACTURING. PLEASE REVIEW THIS DRAWING FOR ACCURACY, INCLUDING ROTATION, AND FAX A SIGNED AND DATED COPY. PRODUCTION WILL BEGIN UPON RECEIPT OF APPROVED DRAWING.

APPROVED BY: \_\_\_\_\_ DATE: \_\_\_\_\_

DATE:  
5/26/22

DWN BY:  
D.L.M.

REV.  
+

SHEET 1 OF 4

