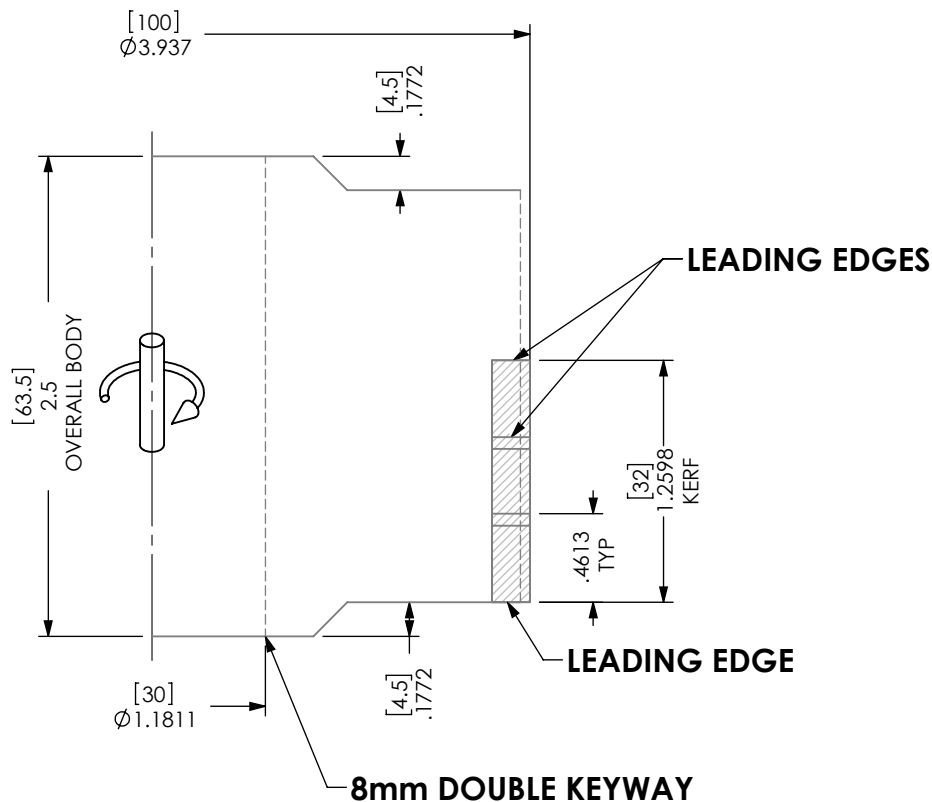


TEETH: 3 EFF.  
 HOOK: 2°  
 SHEAR: 30°  
 TIPS: PCD  
 PA: 102mm

MAX RPM: 17,000

DWG: 1-02-5223900

A.K.A. # N/A



TOTAL TOOLING DWG: 1-02-5223900

ATTN: \_\_\_\_\_ DATE: \_\_\_\_\_ PO#: \_\_\_\_\_

CUSTOM TOOLING MUST HAVE CUSTOMER APPROVAL PRIOR TO THE START OF MANUFACTURING. PLEASE REVIEW THIS DRAWING FOR ACCURACY, INCLUDING ROTATION, AND FAX A SIGNED AND DATED COPY. PRODUCTION WILL BEGIN UPON RECEIPT OF APPROVED DRAWING.

APPROVED BY: \_\_\_\_\_ DATE: \_\_\_\_\_

DATE:  
12/2/21

DWN BY:  
G.R.F.



REV.  
+

SHEET 1 OF 3