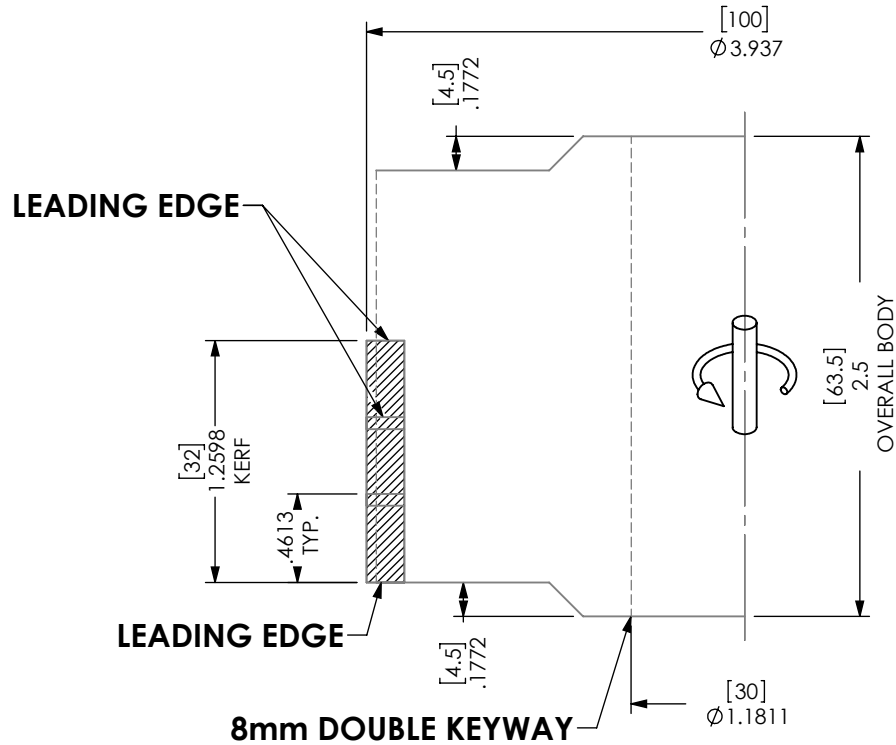


TEETH: 3 EFF.
 HOOK: 2°
 SHEAR: 30°
 TIPS: PCD
 PA: 102mm

MAX RPM: 17,000

DWG: 1-02-5224000

A.K.A. # N/A



HALL MANUFACTURING DWG: 1-02-5224000

ATTN: _____ DATE: _____ PO#: _____

CUSTOM TOOLING MUST HAVE CUSTOMER APPROVAL PRIOR TO THE START OF MANUFACTURING. PLEASE REVIEW THIS DRAWING FOR ACCURACY, INCLUDING ROTATION, AND FAX A SIGNED AND DATED COPY. PRODUCTION WILL BEGIN UPON RECEIPT OF APPROVED DRAWING.

APPROVED BY: _____ DATE: _____

DATE:
12/2/21

DWN BY:
G.R.F.

REV.
+

SHEET 1 OF 4

