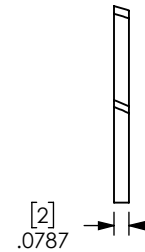
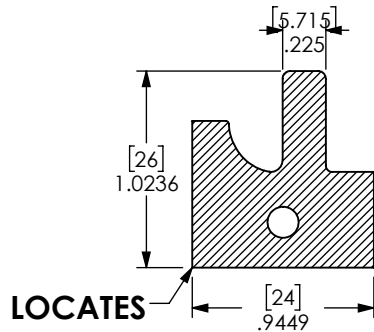


TEETH: N/A  
HOOK: 15°  
SHEAR: N/A  
TIPS: INSERT  
PA: N/A

MAX RPM: N/A

DWG: 4-10-4168900

A.K.A. #: RCP211



R C PFAFF CO., INC. DWG: 4-10-4168900

ATTN: \_\_\_\_\_ DATE: \_\_\_\_\_ PO#: \_\_\_\_\_

CUSTOM TOOLING MUST HAVE CUSTOMER APPROVAL PRIOR TO THE START OF MANUFACTURING. PLEASE REVIEW THIS DRAWING FOR ACCURACY, INCLUDING ROTATION, AND FAX A SIGNED AND DATED COPY. PRODUCTION WILL BEGIN UPON RECEIPT OF APPROVED DRAWING.

APPROVED BY: \_\_\_\_\_ DATE: \_\_\_\_\_

DATE:  
6/8/18

DWN BY:  
M.R.D.



REV.  
+

SHEET 2 OF 4