



Benefits and features

- Short overhang
- Easy handling
- High clamping force
- Can be used with reduction sleeves

short
design
75 mm

ER
collet holder
replacement

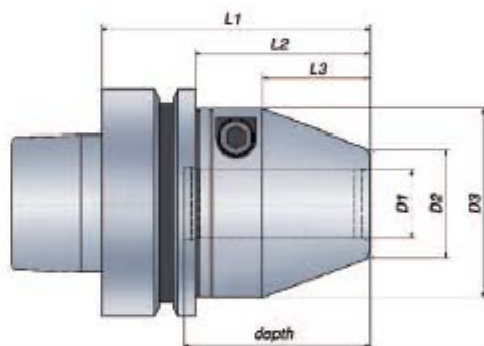


ETP HYDRO-GRIP® COMPACT HSK 63F

The short design of 75 mm makes COMPACT your ideal replacement for any ER collet holder.

Allowing more and more users to fully benefit from all the positives of hydraulic clamping such as easy handling and decreased tool wear. COMPACT has a very compact and robust design. Tools changes are made quickly, easily and with a high level of precision. The high clamping force guarantees a secure clamping of your cutting tools. With a minimum tool runout a good surface finish is achieved along with an extended tool life.

COMPACT can be used with reduction sleeves for maximum flexibility.



Technical Specification

Dimensions, mm

HSK size	Part no.	Item description	D1	D2	D3	L1	L2	L3	depth	T* Nm	Weight kg	G 2.5 at rpm
63	705762	HG COMPACT-12"/HSK63F	12	22	43.5	75	49	18	40	60 - 125	1.1	25 000
63	705764	HG COMPACT-16"/HSK63F	16	26	48	75	49	28	50	165 - 270	1.1	25 000
63	705766	HG COMPACT-20"/HSK63F	20	30	52	75	49	30	52	260 - 425	1.1	25 000

Dimensions, inch

HSK size	Part no.	Item description	D1	D2	D3	L1	L2	L3	depth	T* ft-lb	Weight kg	G 2.5 at rpm
63	705763	HG COMPACT-1/2"/HSK63F	0.500	0.866	1.713	2.953	1.929	0.709	1.575	55-105	1.1	25 000
63	705765	HG COMPACT-5/8"/HSK63F	0.625	1.024	1.890	2.953	1.929	1.102	1.969	122-199	1.1	25 000
63	705681	HG COMPACT-3/4"/HSK63F	0.750	1.181	2.047	2.953	1.929	1.181	2.047	192-314	1.1	25 000

* T_{min} = Minimum transmittable torque using a h6 cylindrical tool, full depth insert.

- Runout accuracy ≤ 0.004 mm at 2.5 x d1 (max. 50 mm)
≤ 0.00016 inch at 2.5x d1 (max. 1.969 inch)
- Tool shank h6 or h7 can be used