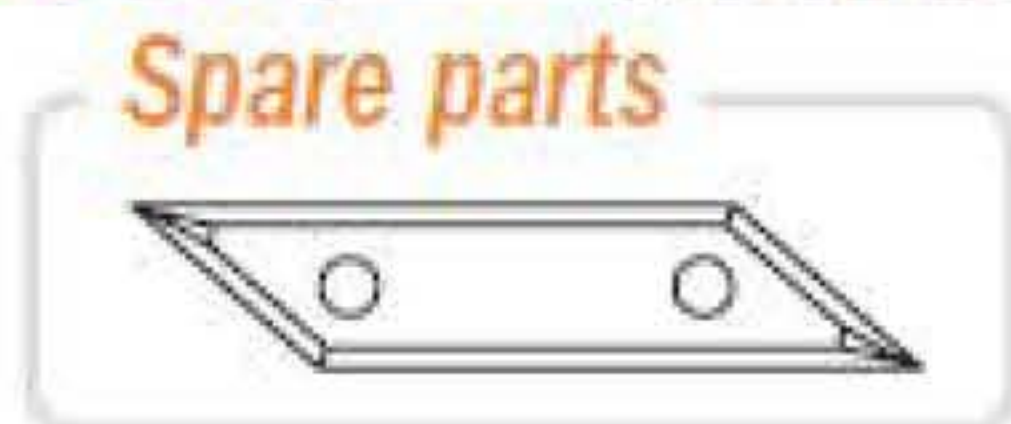




# 663.1

**INSERT CARBIDE** **MEC** **Z1** **Z2** **RH** **2X LONGER LIFE**

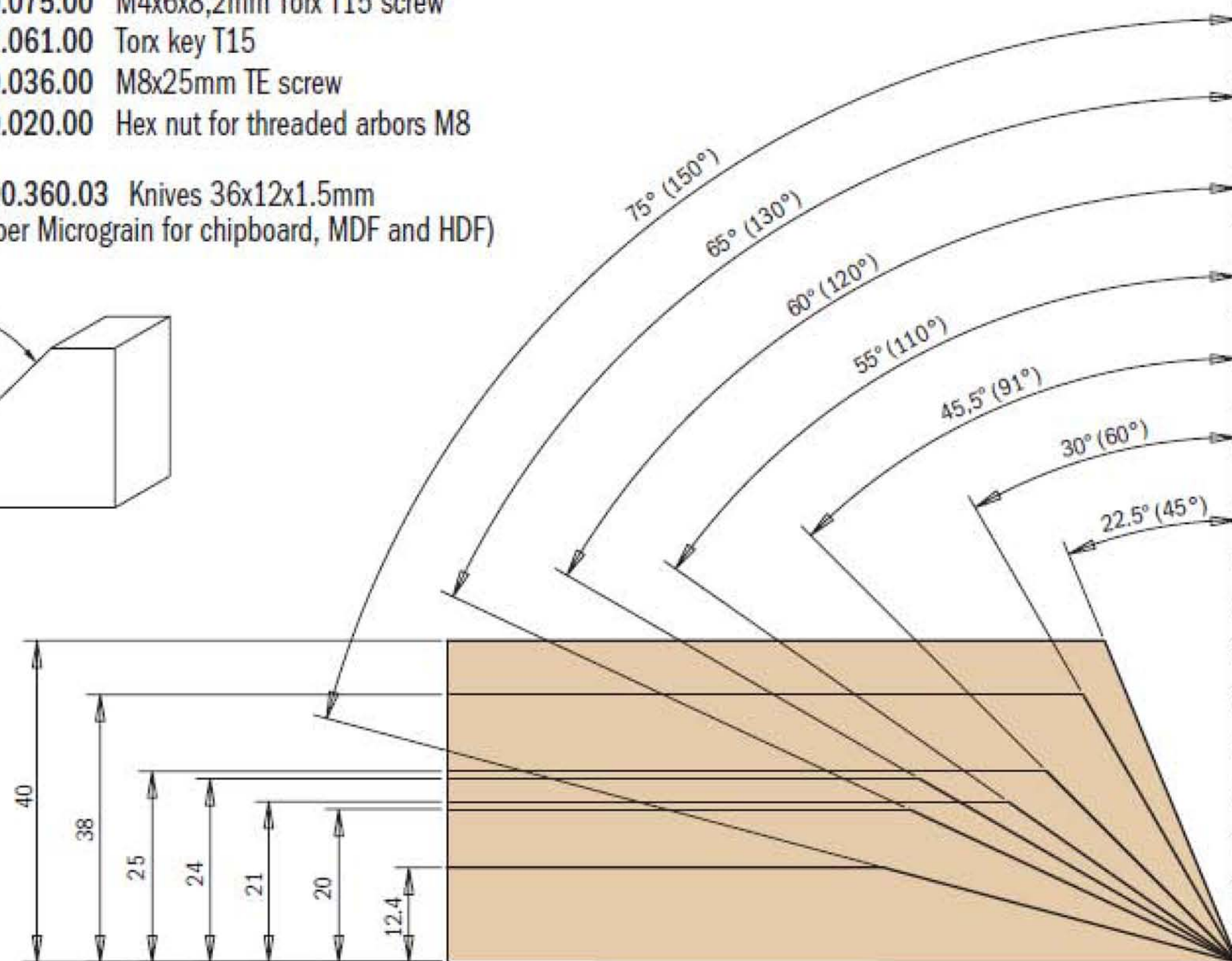
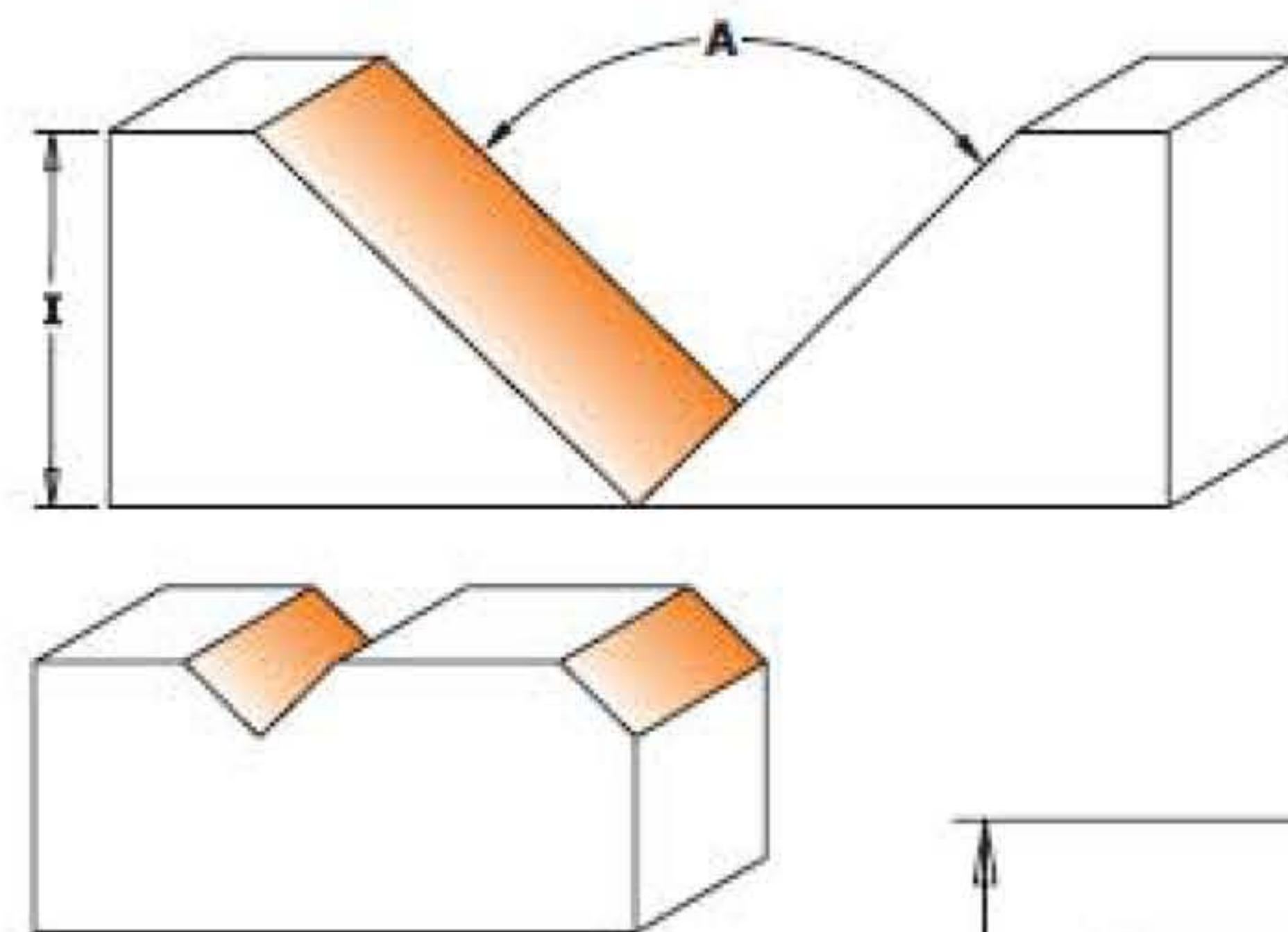
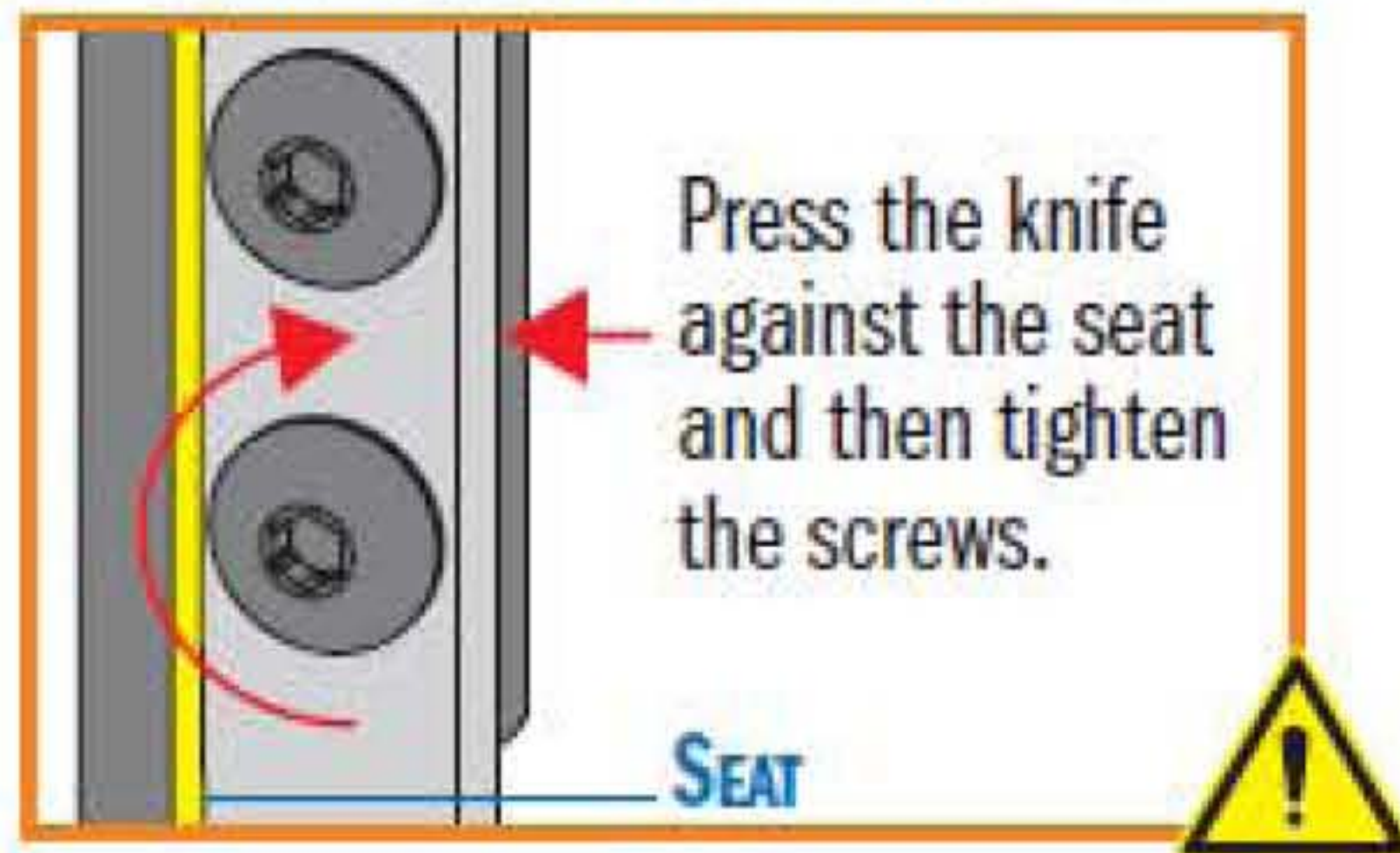
| ORDER NO.<br>Right-hand rotation | D       |      | A    | I<br>mm | L<br>mm | Z | S<br>mm | Spare parts |
|----------------------------------|---------|------|------|---------|---------|---|---------|-------------|
|                                  | inches  | mm   |      |         |         |   |         |             |
| 663.103.11                       | 1-3/8   | 35   | 45°  | 42      | 125     | 1 | 20x50   | 790.580.01  |
| 663.102.11                       | 1-21/32 | 42   | 60°  | 35      | 115     | 1 | 20x50   | 790.580.01  |
| 663.101.11                       | 2-3/64  | 52   | 91°  | 25      | 102     | 1 | 20x50   | 790.360.01  |
| 663.110.11                       | 2-3/8   | 60   | 110° | 21      | 95      | 1 | 20x60   | 790.360.01  |
| 663.120.11                       | 3-27/64 | 87   | 120° | 24      | 95      | 2 | 20x50   | 790.496.01  |
| 663.130.11                       | 3-37/64 | 91   | 130° | 20.2    | 95      | 2 | 20x50   | 790.496.01  |
| 663.150.11                       | 3-51/64 | 96.5 | 150° | 12.4    | 95      | 2 | 20x50   | 790.496.01  |



- Spare parts**
- 990.073.00 M3,5x5x7,2mm Torx T15 screw (for 790.580.01)
  - 990.075.00 M4x6x8,2mm Torx T15 screw
  - 991.061.00 Torx key T15
  - 990.036.00 M8x25mm TE screw
  - 990.020.00 Hex nut for threaded arbors M8

**Optional** S790.360.03 Knives 36x12x1.5mm (Super Micrograin for chipboard, MDF and HDF)

### CORRECT KNIFE POSITIONING



**TECHNICAL DETAILS:**

- Super Strength steel
- 1 cutting edges [Z1]

**APPLICATION:** this innovative CNC router bit offers you an endless range of possibilities for V-Groove, miter folds, signmaking, lettering and chamfer edges. The tool mounts a high grade HWM reversible knife ideal for general purpose, chipboard and plywood, but a higher quality is available for laminated and MDF material.