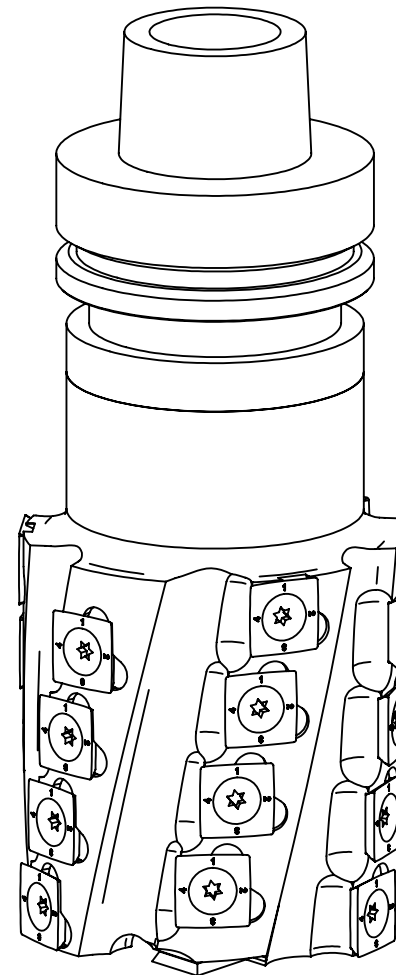
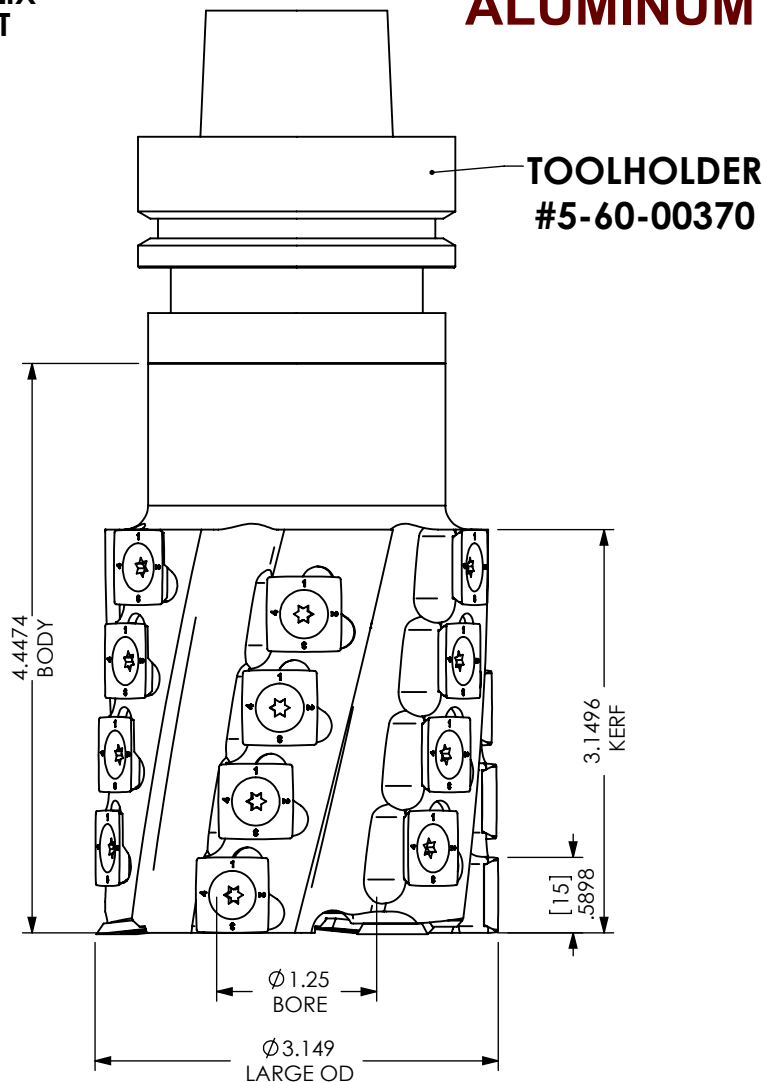


MAX RPM: 19,000

TEETH: 3 EFF.
 HOOK: 15°
 SHEAR: HELIX
 TIPS: INSERT
 PA: N/A

ALUMINUM BODY



HALL MANUFACTURING DWG: 4-16-4829400

ATTN: _____ DATE: _____ PO#: _____

CUSTOM TOOLING MUST HAVE CUSTOMER APPROVAL PRIOR TO THE START OF MANUFACTURING. PLEASE REVIEW THIS DRAWING FOR ACCURACY, INCLUDING ROTATION, AND FAX A SIGNED AND DATED COPY. PRODUCTION WILL BEGIN UPON RECEIPT OF APPROVED DRAWING.

APPROVED BY: _____ DATE: _____

DATE:
8/13/20

DWN BY:
R.A.Y.



REV.
+