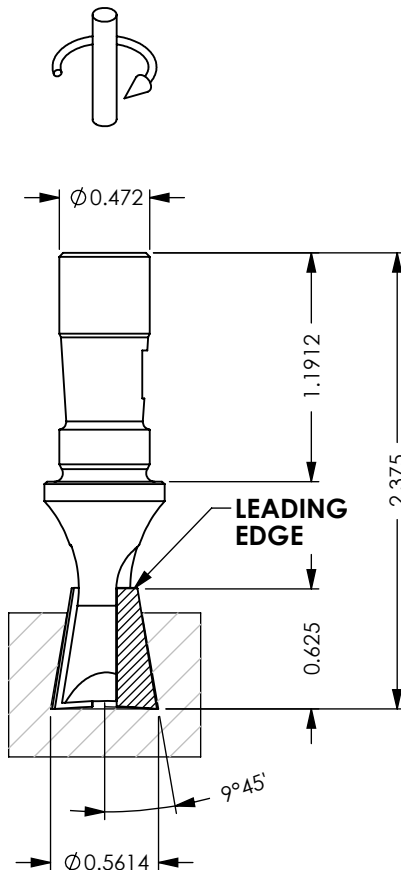


TEETH: 2
HOOK: 7.5°
SHEAR: 4°
TIPS: PCD
PA: 44.034mm

MAX RPM: 24,000

DWG: 1-03-4797000

A.K.A. # N/A



DWG: 1-03-4797000

ATTN: _____ DATE: _____ PO#: _____

CUSTOM TOOLING MUST HAVE CUSTOMER APPROVAL PRIOR TO THE START OF MANUFACTURING. PLEASE REVIEW THIS DRAWING FOR ACCURACY, INCLUDING ROTATION, AND FAX A SIGNED AND DATED COPY. PRODUCTION WILL BEGIN UPON RECEIPT OF APPROVED DRAWING.

APPROVED BY: _____ DATE: _____

DATE:
6/29/20

DWN BY:
G.R.F.

REV.
+

SHEET 1 OF 4

