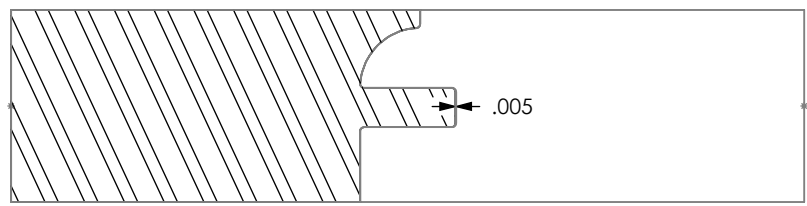
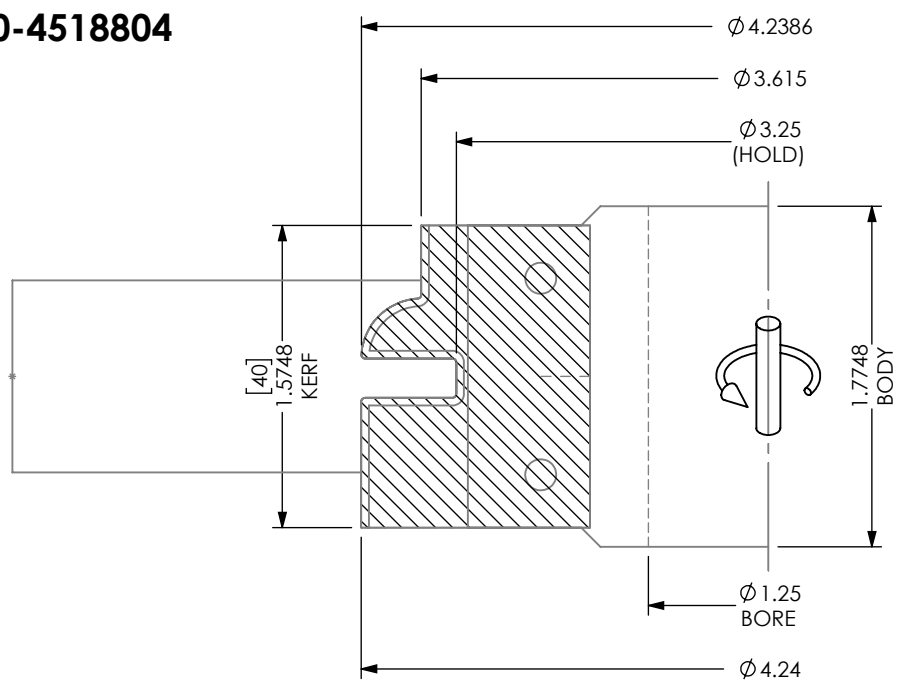
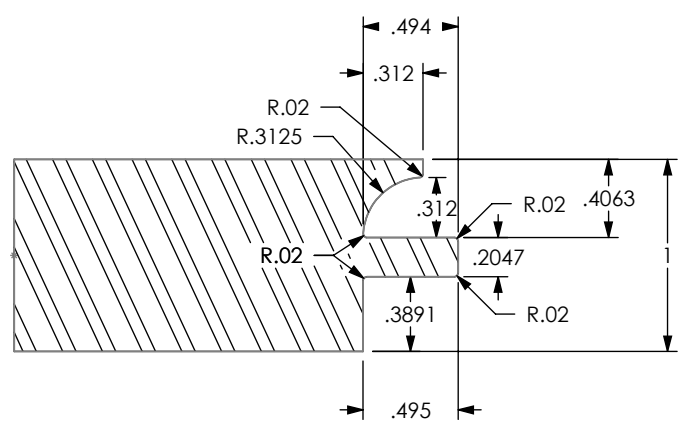


TEETH: 3
 HOOK: 10°
 SHEAR: 0°
 TIPS: INSERT
 PA: N/A

MAX RPM: 13,000
 CUTTER HEAD: #4-01-4518800
 INSERT: #4-10-4518803
 BACKER: #5-10-4518804

DWG: 4-01-4518800

PROFILE #: McLEOD



HALL MANUFACTURING DWG: 4-01-4518800

ATTN: _____ DATE: _____ PO#: _____

CUSTOM TOOLING MUST HAVE CUSTOMER APPROVAL PRIOR TO THE START OF MANUFACTURING. PLEASE REVIEW THIS DRAWING FOR ACCURACY, INCLUDING ROTATION, AND FAX A SIGNED AND DATED COPY. PRODUCTION WILL BEGIN UPON RECEIPT OF APPROVED DRAWING.

APPROVED BY: _____ DATE: _____

DATE:
12/19/19

DWN BY:
RWB



REV.	
+	SHEET 2 OF 4