

PHONE: 800-523-8988 FAX: 509-484-9932 EMAIL: sales@freeborn.com

FREEBORN TOOL COMPANY

DATE: _____ BRAZED INSERT ROUTER BIT
 ATTN: _____ WINGS: 3
 P.O.#: _____ TIPPING: C / T
 DWG#: SEE BELOW DIAMETER: SEE PRINT
 BORE: 1.250 ROTATION: CCW, FD

TIME TO MAKE: () working days, it does not include the weekends
 Quote is good for 60 days, after that it needs to be requested.

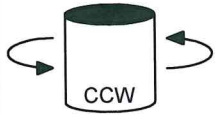
THIS CUTTER WILL NOT BE STARTED WITHOUT A SIGNED APPROVAL

APPROVED PLEASE CORRECT

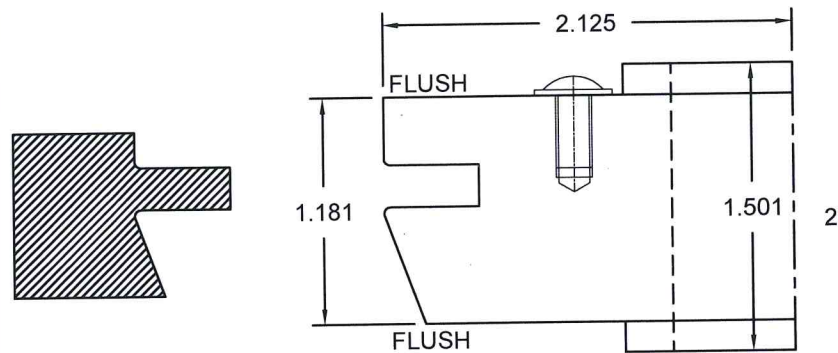
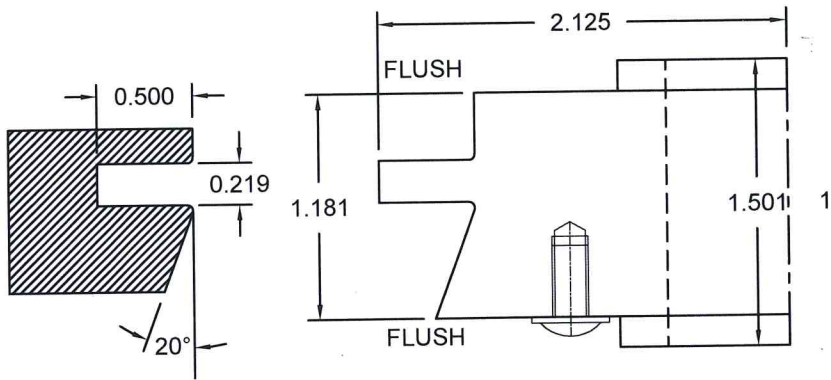
DATE: _____

SIGNATURE: _____

PROPERTY OF FREEBORN TOOL COMPANY, INC. NOT FOR REPRODUCTION



F32929 BODIES, F32929 TIPS



F32929 BODIES, F37552 TIPS

