



Floating Aggregate Features

- Accurately follows material surface
- Compensates up to 10mm
- Pressure adjusts from 1/4 to 20 lbs.

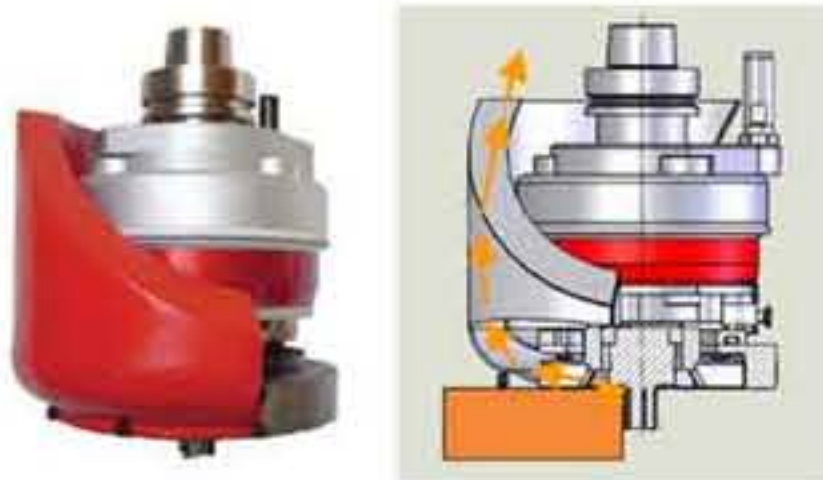
The Soft-Touch aggregate head accurately follows the contours of your stock so cutting depth remains constant.

There is a compressed air connection on the aggregate to provide dust evacuation, and the convenient tool presetting feature allows you to perform fast adjustments.

Aggregate comes with the standard floating bell, an ER 25 or ER 32 spindle output (your choice) and a wrench. Options include the [Chip Guide](#), a variety of floating bells, shoes, and sleighs that are all interchangeable, and various spindle outputs. See below for details.

HSK center spindle shown. Please specify your machine spindle and application. Refer to the chart below for Soft-Touch Floating Aggregates specifications.

Optional Chip Guide



A "Finalist" in the the **2008 IWF Challenger Award Competition**, Techniks Floating Aggregate w/Chip Guide evacuates chips directly into the CNC router's chip exhaust hood, practically eliminating chip contamination problems.



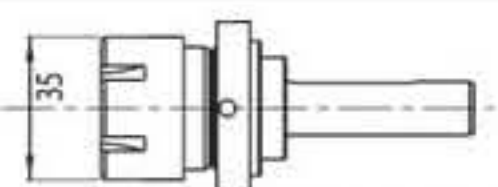
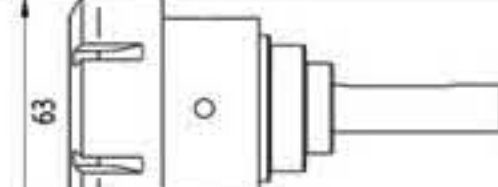
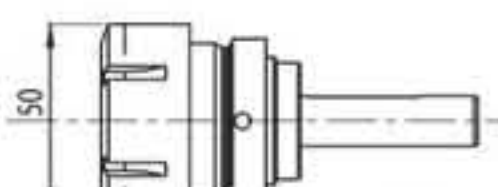
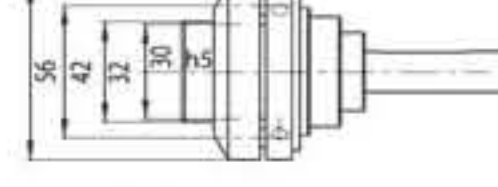
Floating Aggregates Specifications

Spindle Speed*	18,000 RPM / 24,000 RPM	Floating Bell**	70 mm deep X 105 mm I.D.
Floating Range	10 mm (with 10 mm adjustment)	Maximum Torque	20 ft. lbs.
Floating Pressure	adjustable from 1/4 lb. to 20 lbs.	Rotation Direction	same as machine spindle
Rotation	360 degrees	Maximum Temp.	185F
Gear Ratio	1:1	Spindle Outputs***	M5, R6, R7, P1, Modular

*24,000 RPM for high speed and/or small cutting tools.


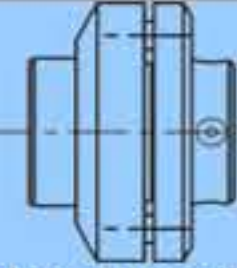
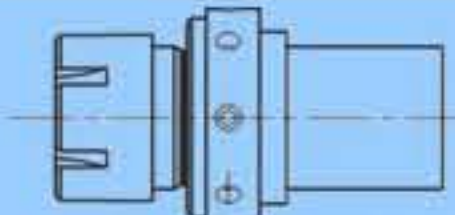
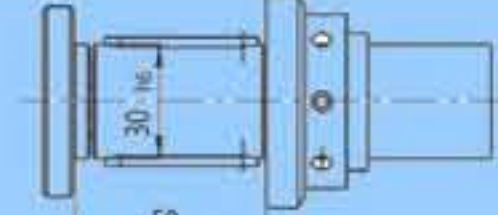

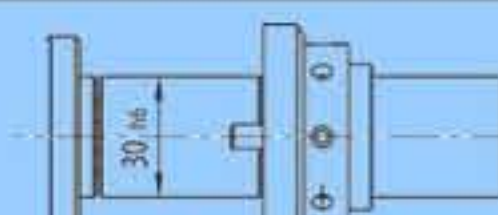
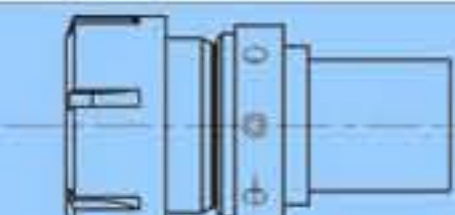
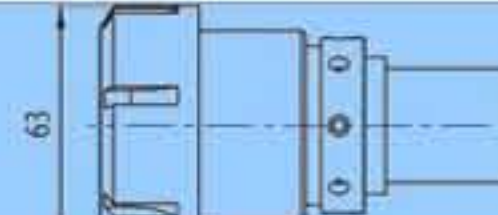
**Other bell diameters, lengths, and types available.
***ER 40, saw blade, and shrink-fit available.

Dedicated Spindle Output Options

 <p>M5 - ER 25 Collet, range: 1-16mm shanks</p>	 <p>R7 - ER 40 Collet, range: 4 - 26mm shanks</p>
 <p>R6 - ER 32 Collet, range: 3-20mm shanks</p>	 <p>P1 - Prolock spindle, range 1.5 - 4mm shanks</p>

Modular System Options (blue)

Modular spindle outputs are all user interchangeable.

 <p>S1- Modular Saw Spindle</p>	 <p>P1 - Modular Saw Arbor, range: 1.5 - 4 mm shanks</p>
 <p>M5 Modular ER 25</p>	 <p>07 Modular Arbor</p>
 <p>08 Modular Arbor</p>	 <p>09 Modular Arbor</p>
 <p>R6 Modular ER 32</p>	 <p>R7 Modular ER 40</p>